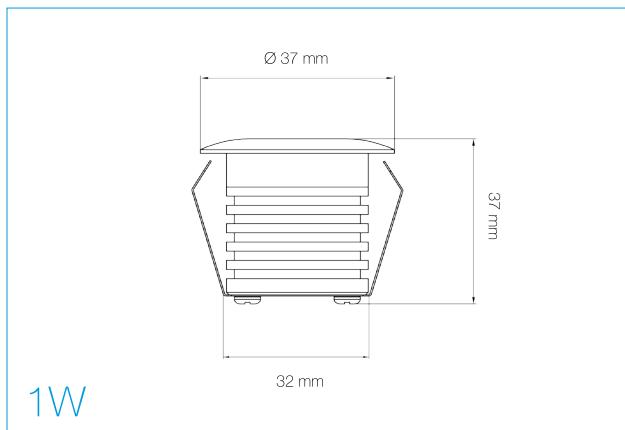
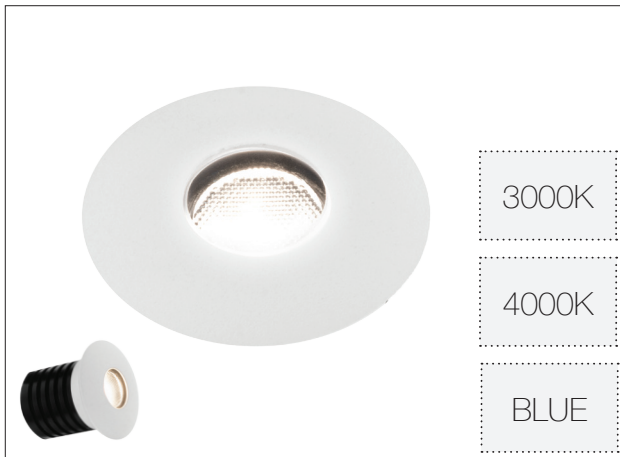


TECHNICAL DATASHEET

AMKR032WH
1W Led Aluminium Marker Light



PRODUCT FEATURES

- Powder Coat Polar White Finish
- Integrated Lens
- IP65, Suitable for Use in Bathrooms
- Cree Diode Inside
- Ideal Walk-Over Luminaire
- Paintable Finish

SERIES WIRING 350mA	32mm CUTOUT
	ErP Compliant
	3 Year Guarantee

AMKR032WH

This luminaire contains built-in LED lamps.

LED

The lamps cannot be changed in the luminaire.

874/2012

PRODUCT CODE	AMKR032WH/30	AMKR032WH/40	AMKR032WH/BL
Consumption	1W	1W	1W
Lumens	≤85 lm	≤95 lm	≤40 lm
Colour Temperature	3000K	4000K	BLUE
Beam Angle	45°	45°	45°
CRI	>80	>80	>80
IP	IP65	IP65	IP65
Lifetime (Hours to lm70)	50,000 h	50,000 h	50,000 h
Operating Current	350mA	350mA	350mA
Temperature	-20~+50°C	-20~+50°C	-20~+50°C