

Project.....

Fixture Type.....

Comments.....

Prepared By.....

Product Description:

Due to popular demand, the market leading ICE™ lamp range has grown. Achieve significant energy savings and light output with ICE™ lamp 4W alongside the already established industry leading 5W 108lm/W GU10 lamps. Featuring ThermoTec™ heat management technology and EnFiniti™ lenses which are also available in 38° beam angle. The ICE™ range has proved to be exceptionally reliable delivering up to 540 lumens in both dimmable and non-dimmable, allowing for direct halogen lamp replacement at a fraction of the energy consumption.

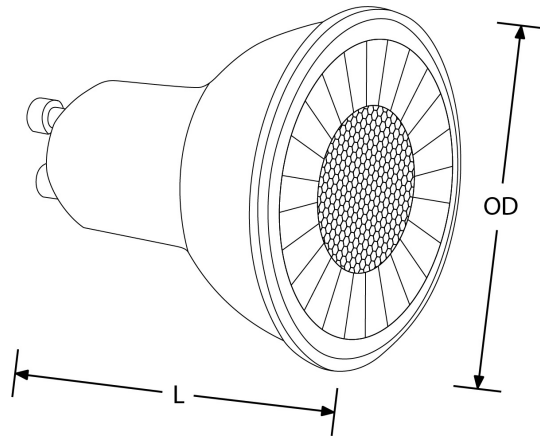
Product Image:



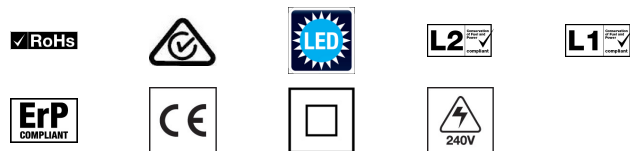
Product Features:

- Excellent efficacy - Up to 108lm/W delivers more light using less energy
- ThermoTec™ technology utilises a combination of highly efficient LED light source, aluminium heat sinking and thermoplastic material for longer life and consistent performance
- EnFiniti™ edge-to-edge multifaceted polycarbonate lens creates low glare and halogen like appearance
- Wide 60° beam angle delivers increased light distribution
- 24° and 38° beam angles also available for 5W version
- 3W version also available in green and blue
- 1.5kV surge protection
- 3 year warranty

Product Dimension:



Compliance & Approvals:



Title

Input Voltage	220/240V AC
Input Frequency	50/60HZ
Operating Temp (Min-Max)	-20-25°C (-4~77°F.)
Dimmable	Yes
Dimensions	57mm (L) x mm (W) x mm (H) x 50mm (OD) x mm (RD) x mm
Number of LEDs	12

SKU Code	Colour	lm	Wattage	Lumens/Watt
EN-DGU005/27	2700	480	5	96
EN-DGU005/30	3000	500	5	100
EN-DGU005/40	4000	520	5	104
EN-DGU005/64	6400	540	5	108

Warranty

This product has a warranty period of 3 Years from the date of purchase. The warranty is invalid in the case of improper use, installation, tampering, and removal of the Q.C. date label; installation in an improper working environment or installation not according to the current edition of the National Electric Code. Should this product fail during the warranty period it will be replaced free of charge, subject to the correct installation of the original product and subsequent return of the faulty unit. Aurora does not accept responsibility for any installation costs associated with the replacement of this product and Aurora reserves the right to alter specifications without prior notice.

AU Sales
4/37 Union Street
NSW 2009
Ingleburn
Australia
Tel : +61 2 9882 6000

AU Distribution
Pymont
2/3 Slater Road
NSW 2565
Australia
Tel : +61 4 0642 6601