

TAXI SMD

Recessed light fitting



54IP



[V] 220-240 AC	[Hz] 50/60	≥ 10000	[h] 20000	ellipse $\leq 60^\circ$ MacAdam	Ra ≥ 80	SMD
			IP 54	0,1m		[°C] -20÷35
		[m] 0,22	[mm ²] 0,75			



	[W]	[lm]	T _c [K]	
TAXI SMD L C/M-WW 26460	0,6	10	3000	chrome matte
TAXI SMD L C/M-NW 26461	0,6	10	4000	chrome matte
TAXI SMD P C/M-WW 26462	0,6	10	3000	chrome matte
TAXI SMD P C/M-NW 26463	0,6	10	4000	chrome matte



Kanlux TAXI SMD is a LED accent luminaire. It can be installed both indoors and outdoors (IP54). A perfect choice for decorative lighting of stairs and platforms.

- Enclosure material: Metal
- Protective glass material: glass
- Panel/frame material: stainless steel

TAXI SMD

Recessed light fitting



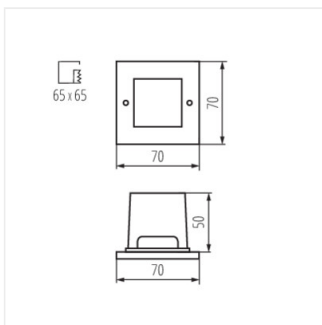
TAXI SMD L C/M-NW



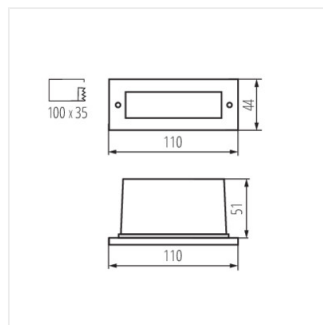
TAXI SMD P C/M-WW



TAXI SMD P C/M-NW



TAXI SMD L



TAXI SMD P