

Distribution boards type A and type B, technical overview

	Type A	Type B
IP Rating	IP3X	IP4X
Enclosure body type	Steel – welded case end with cable glad plate	Steel – welded case end with cable glad plate
Paint specification	RAL 7004 epoxy polyester	RAL 7004 epoxy polyester
Conditional short circuit rating	15kA to BS EN 61439	25kA to BS EN 61439
Busbar short time withstand (I _{cw})	5kA 0.1s	10kA 0.5s / 17kA 0.25s
Cable Capacities		
125A switch disconnecter	50mm ²	50mm ²
100A RCCB (type A = 90A)	35mm ²	50mm ²
250A switch disconnecter	–	120mm ² (+ M8 lugs)
160A – 250A MCCB incomer	–	250A = 120mm ² (+ M8 lugs)
100A direct connection kit	35mm ²	–
250A direct connection lugs	–	120mm ² (+ M8 lugs)
125A contactor incomer	–	50mm ²
250A contactor incomer	–	120mm ² (+ M8 lugs)
Enclosure earth stud	M6	M8
Incoming earth terminal	25mm ²	125A = 25mm ² , 250A = 70mm ²
Incomming neutral terminal	90/100A = 35mm ² , 125A = 50mm ²	125A = 50mm ² , 250A = 120mm ² (+ M8 lugs)
Outgoing earth terminal	25mm ²	25mm ²
Outgoing neutral terminal	25mm ²	25mm ²

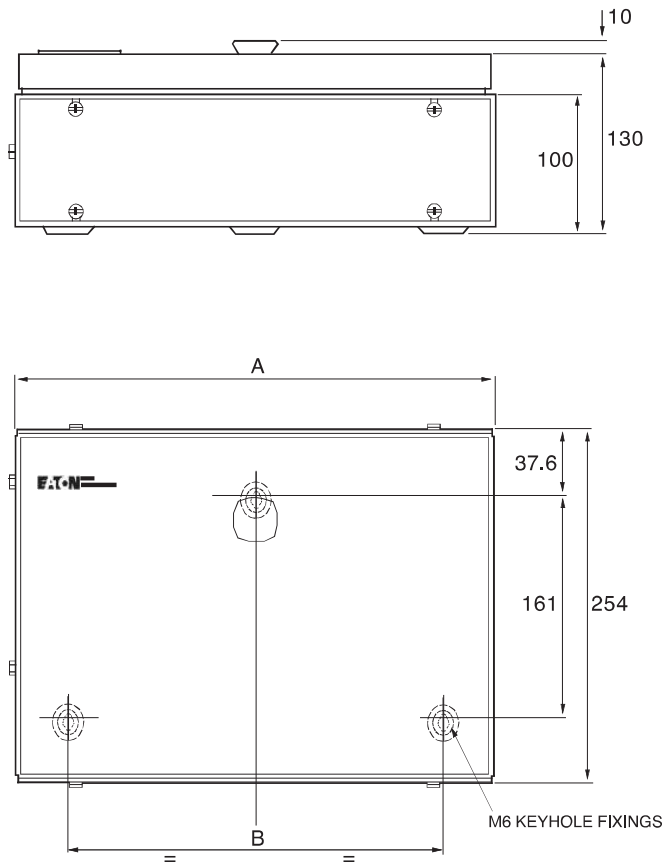
Type 1/type 2 combined lightning/surge arrester, technical data

Electrical		EM3SSK3T12 & EMSSK3T12L	EM3SSK3T12P
Lightning protection system class		III, IV	I, II, III, IV
Responding time (rate of voltage rise 5 kV/μs)	L-N/ N-PE	< 25 ns / < 100 ns	< 25 ns
Voltage protection level U _p	L-N/L-PE / N-PE	< 1.5kV	1.5 kV
Maximum continuous operating voltage U _c	L-N/N-PE	280 VAC/255 VAC	440 VAC / 260 VAC
Temporary overvoltage test value U _T (5 s)	L-N/L-PE	348 VAC/370 VAC	
(200 ms)	N-PE	1200 VAC	200 VAC (200 ms)
Rated frequency		50/60 Hz	50/60 Hz
Discharge current (8/20) μs I _{max} /I _n		–	100 kA
Open circuit voltage U _{oc}		20 kV	–
Nominal discharge current (8/20) μs I _n	L-N/N-PE	3x25 kA/100 kA	–
Maximum discharge current I _{max}	L-N/N-PE	3x50 kA/100 kA	–
Impulse current I _{imp} (10/350) μs:			
Peak current	L-N/N-PE	3x12.5 kA/100 kA	100 kA
Charge Q		50 As	50 As
Specific energy		2500 kJ/Ω	2500 kJ/Ω
Follow current interrupt rating I _{fi}	N-PE	100 A _{r,m,s}	–
at 260 V	L-(PE)N/N-PE	–	3kA _{rms} /100A _{rms}
at 440 V	L-(PE)N/N-PE	–	1,5kA _{rms} /–
Short-circuit current strength at max. back-up fuse		–	25kA _{rms}
Maximum back-up fuse		160 AgL/gG	125 AgL
Maximum short-circuit current		50 kA _{r,m,s}	–

Type 2 surge arrester technical data

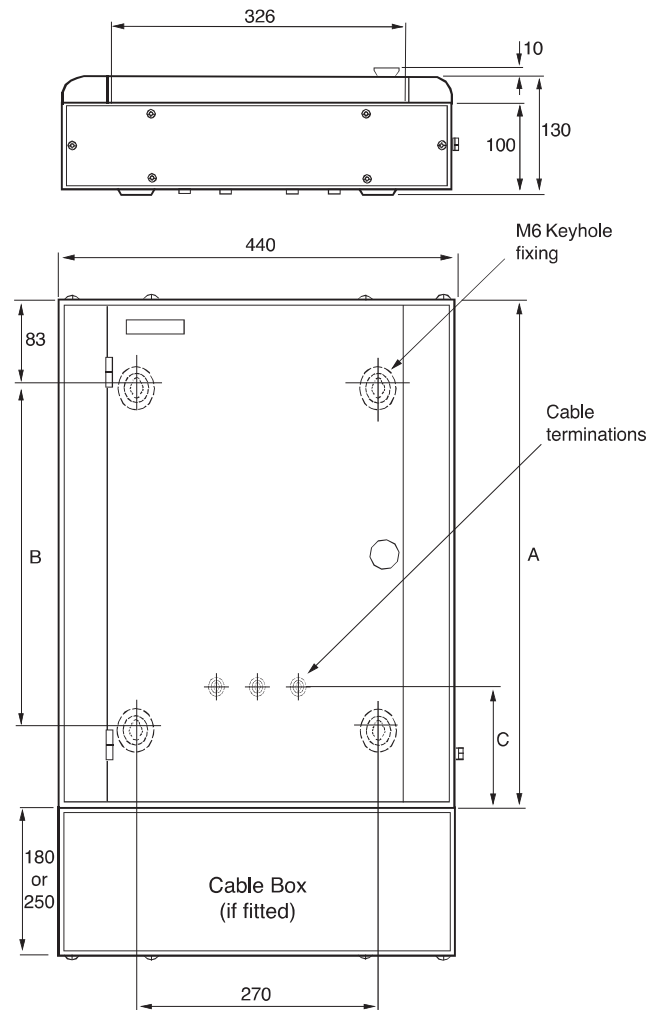
Electrical		EM3SSK1T2	EM3SSK3T2
Responding time (rate of voltage rise 5 kV/μs)	L-N/N-PE/L-PE	< 25ns/< 100ns/< 100ns	< 25ns/< 100ns/< 100ns
Maximum continuous operating voltage U _c	L-N/N-PE	335VAC/260VAC	280VAC/260VAC
Temporary overvoltage test value U _T (5 s)	L-N	415 VAC	350 VAC
(200 ms)	N-PE	1200 VAC	1200 VAC
Rated frequency		50/60 Hz	50/60 Hz
Nominal discharge current I _n	L-N/N-PE/L-PE	20 kA (8/20)μs	20 kA (8/20)μs
Voltage protection level U _p at I _n	L-N/N-PE/L-PE	≤1600V/≤1000V/≤1650V	≤1000V/≤1000V/≤1300V
Maximum discharge current I _{max}	L-N/N-PE/L-PE	40 kA (8/20)μs	40 kA (8/20)μs

Memshield 3 type A SPN Distribution Board, dimensional drawing



List No.	A (mm)	B (mm)
EAM4, EBMXDC6	238	163
EAMMP65	238	163
EAM7, EBMXDC9	292	217
EAM10	346	271
EAM13, EBMXDC15, EBMXDCG15	440	365
EAM9M/MB	440	365
EAM16, EBMXDC18	454	379
EAM12M/MB	454	379
EAMSL66M/MB	454	379
EAMSL93M/MB	454	379

Memshield 3 type B TPN Distribution Board, dimensional drawing



List No.	A (mm)	B (mm)	C (mm)	125A incomer	250A incomer	Lugs incomer
EBM41	429	245	144	–	–	150
EBM61	482	298	144	–	–	150
EBM81, EBMXDC30	564	380	173	–	–	179
EBM121, EBM121D, EBMXDC45	724	540	227	–	–	233
EBM161	830	540	227	–	–	233
EBM122	861	677	334	76	–	340
EBM182	1021	837	334	76	–	340
EBM242	1180	996	334	76	–	340
250A high load boards¹⁾						
EBM22H	817	633	–	237	–	500
EBM62H	1020	836	–	296	–	559
EBM82H	1055	871	–	277	–	540
EBM122H	1180	996	–	296	–	559
EBM182H	1342	1158	–	298	–	561
EBM242H	1501	1317	–	298	–	561

¹⁾ Cable box not required